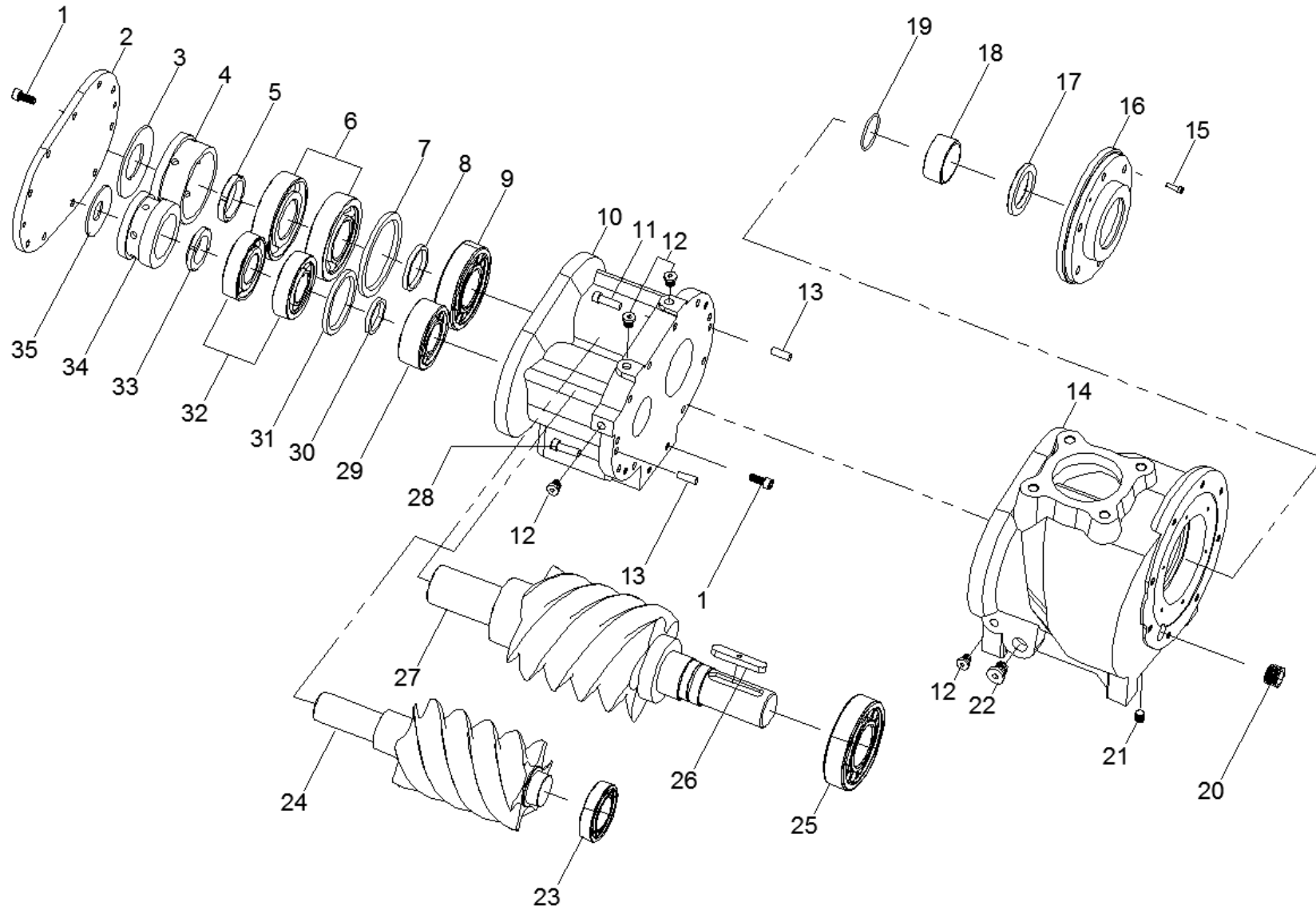


**AA-480R Construction BOM**



### AA-480R Construction BOM

Item	Number	Description	Quantity	Item	Number	Description	Quantity
1	4301-110025-C	Bolt	12	21	4305-107	Plug	4
2	3512-1101A	Discharge Cover Plate	1	22	4310-2034	Plug	1
3	4307-DB112	Disc Spring	1	23	4102-NJ210E	Bearing	1
4	3509-1109A	Bearing Spacer	1	24	35312-1133AD	Female Rotor	1
5	4302-260	KM Nut	1	25	4102-NU313E	Bearing	1
6	4101-7312BUO	Bearing	2	26	3504-1164A	Parallel Key	1
7	3512-113DA	Spacer Ring	1	27	35312-1132AD	Male Rotor	1
8	3512-1134A	Spacer Ring	1	28	4301-110055-C	Bolt	1
9	4102-NU312E	Bearing	1	29	4102-NU2309E	Bearing	1
10	35312-1131A	Bearing Seat	1	30	3105-1137A	Spacer Ring	1
11	4301-110035-C	Bolt	7	31	3105-113AA	Spacer Ring	1
12	4305-924	Plug	6	32	4101-7309BUO	Bearing	1
13	35302-1102AB	Parallel Pin	2	33	4302-245	KM Nut	1
14	35312-1141AF	Housing	1	34	3512-1111A	Bearing Spacer	1
15	4301-106020-C	Bolt	6	35	4307-DB080	Disc Spring	1
16	35312-1161AB	Seal Cover	1				
17	4203-068090R	Shaft Seal	1				
18	4807-03	Bush	1				
19	4201-VG055	O-Ring	1				
20	4305-109	Plug	1				